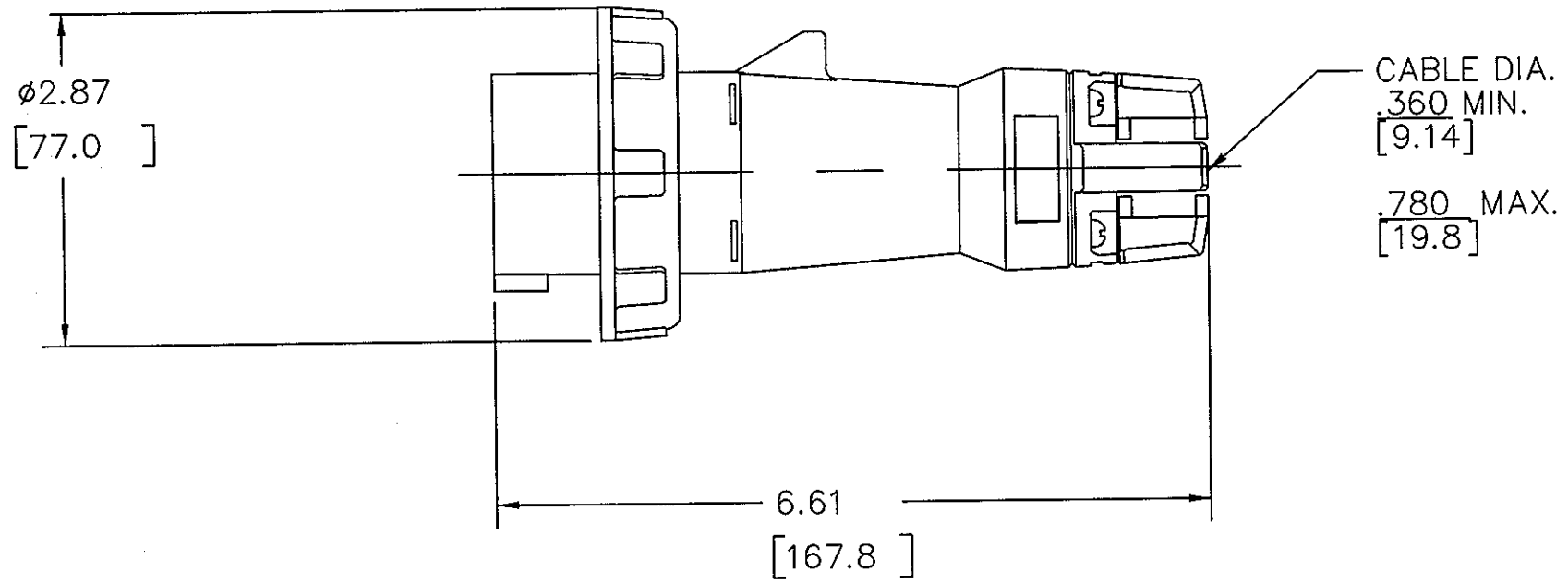
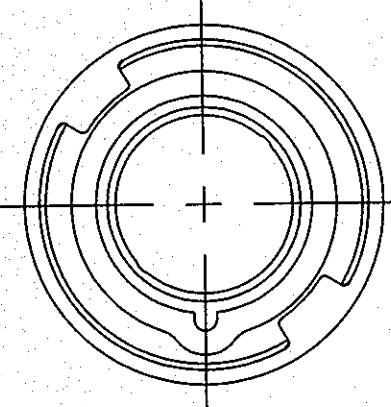
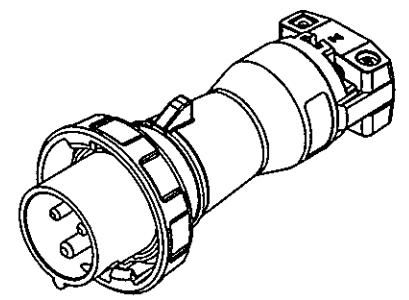


M-6051 4



LIST OF PARTS		
DESCRIPTION	MATERIAL	FINISH
HOUSING	NYLON	
GASKET	RUBBER	
LOCK RING	POLYESTER	
INTERIOR	THERMOSET	
PINS	BRASS	
TERM. SCREWS	STAIN. STEEL	
GLAND CAP	POLYESTER	
GLANDS	RUBBER	
CLAMPS	POLYESTER	
CLAMP NUTS	BRASS	NICKEL
ASS'Y SCRS	STAIN. STEEL	



CATALOG NO. HBL320P6W
(NOT SHOWN TO SCALE)

CAT NO.	CONFIGURATION	RATING	CAT. NO.	CONFIGURATION	RATING
			HBL320P7W		20 AMP 480 VAC
HBL316P4W		16 AMP 110-120 VAC			
HBL320P4W		20 AMP 125 VAC			
HBL320P5W		20 AMP 277 VAC			
HBL316P6W HBL320P6W		16 AMP 220-240 VAC 20AMP 250 VAC			

4	ADDED ISO VIEW TO INDICATE SOLID MODEL EMBEDDED IN DRAWING. PER DCN 21895 DDL	DJP	02/22/16
SYM	REVISIONS	APP	DATE

THE DESIGN AND DIMENSIONS OF THE PRODUCT SHOWN ON THIS DRAWING ARE SUBJECT TO CHANGE WITHOUT NOTICE

TITLE
16 & 20A 2 POLE 3 WIRE
PIN & SLEEVE

TOLERANCES UNLESS OTHERWISE SPECIFIED .XX = ± .01 .XXX = ± .005 ANGLES = ± 2'	WIRING DEVICE--KELLEMS HUBBELL INCORPORATED SHELTON, CT	
	DR. BY MJK	APP. BY
	TR. BY MYA	SCALE NONE
	CHK'D BY	DATE 8-9-01

DIMENSION SHEET FOR CAT. NO. SEE TABLE REPAIRABLE NON-REPAIRABLE B M-6051 4